

**REX MANUFACTURING**

DIVISION OF TRANSFACTOR INDUSTRIES INC.

25 BAYWOOD ROAD, REXDALE, ON., M9V 3Y8 TEL.: (416) 747-7818 FAX: (416) 747-1956

PRELIMINARY SPECIFICATION SHEET  
ISOLATION TRANSFORMER  
TYPE: ANN-SELF COOLED

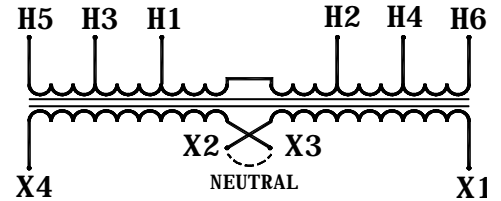
**CAT. NO.:** SA150JK  
**KVA:** 150 KVA  
**PRIMARY:** 600 Volt  
**SECONDARY:** 120/240 Volt  
**PHASE:** 1  
**Hz:** 60

**WEIGHT:** 990 Lbs  
**INSULATION CLASS:** 220EC  
**TEMPERATURE RISE:** 150EC  
**IMPEDANCE:** 5.0%-6.0%  
**TAPS:** ± 2x2.5%  
**BIL:** 10 KV

**TERMINATION/LOCATION:**  
**PRIMARY (HV):** 2-600 MCM FRONT  
**SECONDARY (LV):** PADS-NO LUGS FRONT

**STANDARDS:**  
-CSA Certified  
-UL Listed

**COILS:** Aluminum Wound  
**SPECIAL FEATURES:** ANTI-VIBRATION PADS INSTALLED.

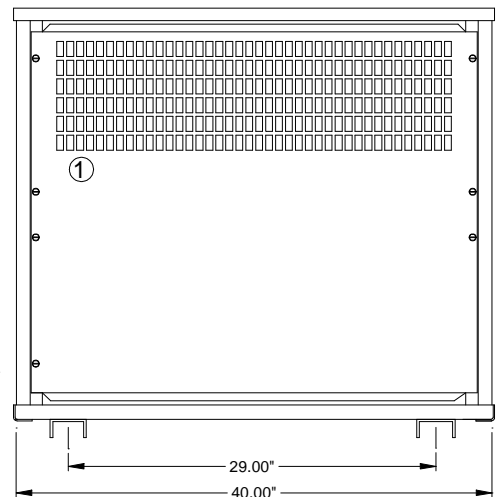
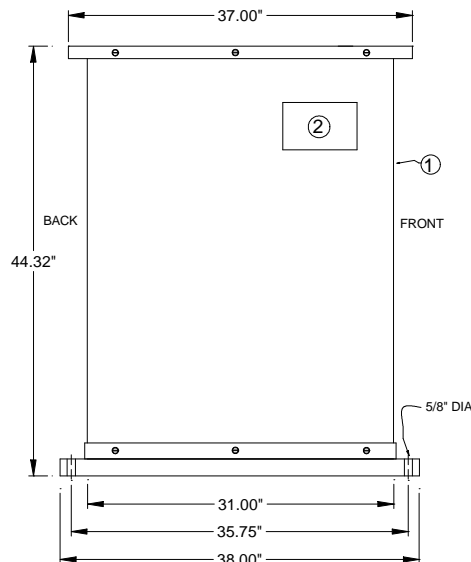


Wiring Connection:

Primary:	% Taps	Volts
H1-H2	95	630
H2-H3	97.5	615
H3-H4	100	600
H4-H5	102.5	585
H5-H6	105	570

Secondary:	Volts	Interconnect	Connect Load to:
120	X1-X3, and X2-X4		X1-X4
240	X2-X3		X1-X4
120/240	X2-X3		X1-X2-X4
			X2 is a Neutral

- CSA Enclosure
- Type 2 (NEMA 2)
- Drip Proof
- Indoor Ventilated
- ASA 61 Grey
- Floor Mounting



- ① -REMOVABLE PANELS FOR EASY ACCESS TO TERMINALS
- ② -NAME PLATE